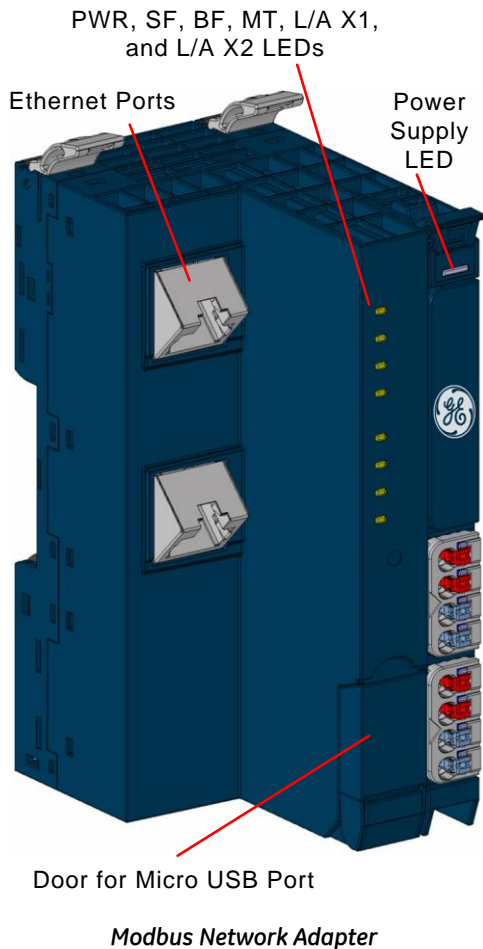


Modbus® Network Adapter Module EPXMBE001



The EPXMBE001 network adapter is a Modbus TCP participant developed according to IEC 61158. The network adapter is the head module for the RSTi-EP communication bus, to which up to 64 active RSTi-EP modules can be connected. The Modbus TCP network adapter has two Ethernet ports and an integrated switch.

The network adapter can be accessed with a system-independent web server application via the USB service interface or the Ethernet. Thus, all information, such as diagnostics, status values and parameters, can be read and all connected modules can be simulated or forced.

The station's main power supply is integrated in the network adapter. Power is supplied via two 4-pole connectors, separated into the input and output current paths.

Caution, the RSTi-EP station is usually installed on a horizontally positioned DIN rail. Installation on vertically positioned DIN rails is also possible. However, the heat dissipation is reduced such that the derating values change (refer to the section, [Thermal Derating](#)).

Modules should be allowed to de-energize for a minimum 10 seconds after power down, prior to starting any maintenance activity. The network adapter cannot be hot-swapped.

Refer to the *RSTi-EP Slice I/O User Manual* (GFK-2958) for additional information.

Refer to the *RSTi-EP Power Supply Reference Guide*, a software utility available on PME V9.00, for detailed power-feed requirements.

Module Features

- Supports up to 64 active RSTi-EP modules
- *Spring-style* technology for ease of wiring
- DIN rail mounted
- Double-click installation for positive indication of correct installation
- Built-in Web Server for diagnostic information and firmware update through Ethernet and micro USB port
- Option of fixed or DHCP IP address configuration
- Support for daisy-chain/line, star topologies

GFK-2966B

Ordering Information

Module	Description
EPXMBS001	RSTi-EP Slice I/O Modbus TCP Network Adapter

Specifications

		EPXMBE001
System data		
Connection	2 x RJ-45	
Fieldbus protocol	Modbus TCP	
Process image	Input data width	max. 8 kBytes
	Parameter data	max. 1024 kBytes
	Diagnostic data	max. 1024 kBytes
Number of modules	max. 64 active	
Configuration interface	Micro USB 2.0	
Transfer rate	Fieldbus	10 Mbps/100 Mbps
	RTSi-EP system bus	Max. 48 Mbps
Supply		
Supply voltage for system and inputs	20.4V – 28.8V	
Supply voltage for outputs	20.4V – 28.8V	
Max. feed-in current for input modules	10 A	
Max. feed-in current for output modules	10 A	
Current consumption from system current path I _{SVS}	112 mA	
Connection data		
Type of connection	Spring style	
Conductor cross-section	Single-wired, fine-wired	0.14 – 1.5 mm ² (AWG 26 – 16)
General data		
Operating temperature	-20°C to +60°C (-4 °F to +140 °F)	
Storage temperature	-40°C to +85°C (-40 °F to +185 °F)	
Air humidity (operation/transport)	5% to 95%, noncondensing as per IEC 61131-2	
Width	52 mm (2.05 in)	
Depth	76 mm (2.99 in)	
Height	120 mm (4.72 in)	
Weight	223 g (7.87 oz)	


LEDs

LED Status Indicators

LED	Indication	LED State/Description
PWR	Power LED	Green: Supply voltage connected
SF	System Fault	Red: Configuration error, or error in the network adapter, or error in a module, or there is a new diagnostic report Red flashing: Station in Force mode
BF	Bus fault	Red: No connection to the fieldbus Red flashing: Configuration error, no connection to the control unit, or error in the parameter set
MT	Maintenance Required	Yellow: Error on the system bus or fieldbus
L/A X1	Connection/Active	Green / Yellow†: Connection established between port 1 of the network adapter and another field device Green flashing / Yellow flashing†: Data being exchanged on port 1
L/A X2	Connection/Active	Green: Connection established between port 2 of the network adapter and another field device Green flashing: Data being exchanged on port 2
† Green: Transfer rate 100 MBit/s Yellow: Transfer rate 10 MBit/s		

LED Indicators

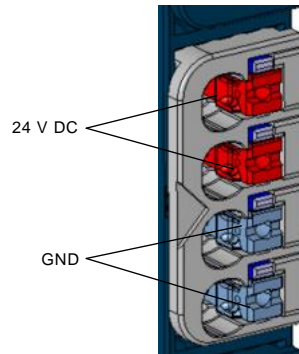
LED	EPXMBE001
Power Supply	Green: Supply voltage > 18 V DC Red: At least one current path < 18 V
3.1	Green: Input current path supply voltage > 18 V DC
3.2	Red: Input current path supply voltage < 18 V DC
3.3	
3.4	Red: Internal fuse defective
4.1	Green: Output current path supply voltage > 18 V DC
4.2	Red: Output current path supply voltage < 18 V DC
4.3	
4.4	Red: Internal fuse defective



GFK-2966B

Field Wiring

The connection frame has one connector, and two 24 V DC wires can be connected to each connector, along with two ground connections. Those four connectors are used as shown in the following figure. The *Spring style* technology allows either finely stranded or solid wire with crimped wire-end ferrules or ultrasonically welded wires, each with a maximum cross-section of 1.5 mm² (16 gauge), to be inserted easily through the opening in the clamping terminal without having to use tools. To insert fine stranded wires without wire-end ferrules, the pusher must be pressed in with a screwdriver and released to latch the wire.



Connector Block

Connector Specifications:

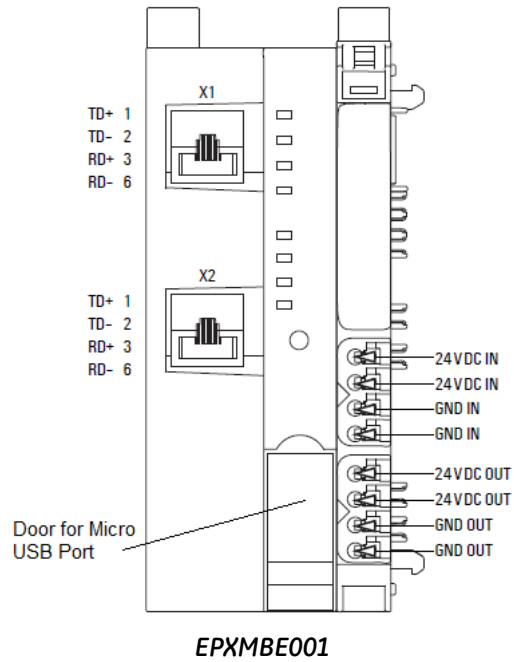
- conductor cross-section 0.14 to 1.5 mm² (26 – 16 gauge)
- max. ampacity: 10 A
- 4-pole

The modules do not have a fused sensor/activator power supply. All cables to the connected sensors/actuators must be fused corresponding to their conductor cross-sections (as per Standard DIN EN 60204-1, section 12).

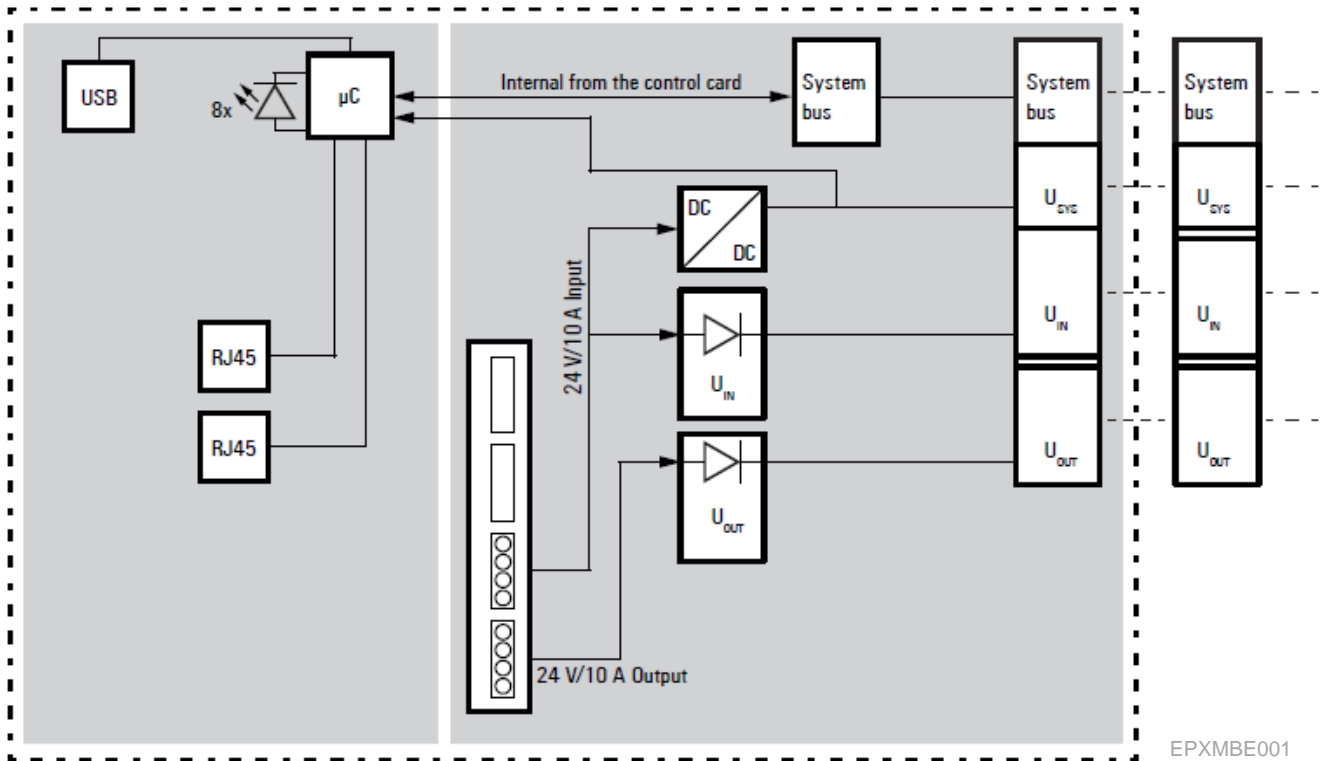
Refer to the *RSTi-EP Slice I/O User Manual* (GFK-2958) for additional information.

For technical assistance, go to <http://support.ge-ip.com>.

Connection Diagrams



Connection Block Diagrams



GFK-2966B

EPXMBE001

Installation in Hazardous Areas

- EQUIPMENT LABELED WITH REFERENCE TO CLASS I, GROUPS A, B, C & D, DIV. 2 HAZARDOUS AREAS IS SUITABLE FOR USE IN CLASS I, DIVISION 2, GROUPS A, B, C, D OR NON-HAZARDOUS AREAS ONLY

**WARNING - EXPLOSION HAZARD - SUBSTITUTION OF COMPONENTS MAY IMPAIR SUITABILITY FOR CLASS I, DIVISION 2;****WARNING - EXPLOSION HAZARD - WHEN IN HAZARDOUS AREAS, TURN OFF POWER BEFORE REPLACING OR WIRING MODULES; AND****WARNING - EXPLOSION HAZARD - DO NOT CONNECT OR DISCONNECT EQUIPMENT UNLESS POWER HAS BEEN SWITCHED OFF OR THE AREA IS KNOWN TO BE NONHAZARDOUS.****ATEX Marking**

II 3 G Ex nA IIC T4 Gc

Ta: -20°C to +60°C (-4° F to +140 °F)

Thermal Derating

The power supply is restricted according to the temperature. The following values apply for the horizontal and vertical positioning of the RSTi-EP station:

Temperature-dependent Values for the Power Supply

	Horizontal	Vertical
Network adapter power supply	60°C (140 °F) : 2 x 8 A 55°C (131 °F) : 2 x 10 A	55°C (131 °F) : 2 x 6 A 50°C (122 °F) : 2 x 8 A
Power-feed module power supply	60°C (140 °F) : 1 x 10 A	55°C (131 °F) : 1 x 8 A

Refer to the *RSTi-EP Slice I/O Module User Manual* (GFK-2958) for additional information.

Supported Modules and Power Supplies

The following modules can be used with this release of the RSTi-EP Modbus Network Adaptor:

Catalog Number	Module Description
Digital Input Modules	
EP-1214	Digital Input, 4 Points, Positive Logic 24VDC, 2,3, or 4 Wire
EP-1218	Digital Input, 8 Points, Positive Logic, 24VDC 2 Wire
EP-1318	Digital Input, 8 Points, Positive Logic, 24VDC 3 Wire
EP-125F	Digital Input, 16 Points, Positive Logic, 24VDC, 1 Wire
EP-12F4	Digital Input, 4 Points, Positive Logic 24VDC, 2,3, or 4 Wire, Time stamp
EP-1804	Digital Input, 4 Points 110/230 VAC (65 – 277 VAC), 2 Wire, Isolated
Digital Output Modules	
EP-2214	Digital Output, 4 Points, Positive Logic 24VDC, 0.5A, 2,3, or 4 Wire
EP-2614	Digital Output, 4 Points, Positive Logic 24VDC, 2.0A, 2,3, or 4 Wire
EP-2634	Digital Output, 4 Points, Positive/Negative Logic 24VDC, 2.0A, 2,3, or 4 Wire
EP-2218	Digital Output, 8 Points, Positive Logic, 24VDC, 0.5A, 2 Wire
EP-225F	Digital Input, 16 Points, Positive Logic, 24VDC, 0.5A, 1 Wire

<i>Catalog Number</i>	<i>Module Description</i>
Digital Relay Output Modules	
EP-2714	Digital Relay Output, 4 Points, Positive Logic, 24 - 220 VDC/VAC, 6A, 2 Wire
EP-2814	Solid-state Relay Output Module
Analog Input Modules	
EP-3164	Analog Input, 4 Channels Voltage/Current 16 Bits 2, 3, or 4 Wire
EP-3264	Analog Input, 4 Channels Voltage/Current 16 Bits with Diagnostics 2, 3, or 4 Wire
EP-3124	Analog Input, 4 Channels Voltage/Current 12 Bits 2, 3, or 4 Wire
EP-3368	Analog Input, 8 Channels Current 16 Bits 2, 3, or 4 Wire
EP-3468	Analog Input, 8 Channels Current 16 Bits 2, 3, or 4 Wire, Channel Diagnostic
EP-3704	Analog Input, 4 Channels RTD 16 Bits with Diagnostics 2, 3, or 4 Wire
EP-3804	Analog Input, 4 Channels TC 16 Bits with Diagnostics 2, 3, or 4 Wire
Analog Output Modules	
EP-4164	Analog Output, 4 Channels Voltage/Current 16 Bits 2, 3, or 4 Wire
EP-4264	Analog Output, 4 Channels Voltage/Current 16 Bits with Diagnostics 2, 3, or 4 Wire
Speciality Modules	
EP-5111	1 Channel High Speed Counter, AB 100 kHz 1 DO 24VDC, 0.5A
EP-5112	2 Channel High Speed Counter, AB 100 kHz
EP-5212	2 Channel Frequency Measurement, 100 kHz
EP-5261	1 Channel Serial Communications, 232, 422, 485
EP-5311	1 Channel SSI Encoder, BCD or Gray-Code Format, 5/24 VDC
EP-5422	2 Channels PWM Output, Positive Logic, 24VDC, 2.0 A
EP-5442	2 Channels PWM Output, Positive Logic, 24VDC, 0.5 A
Power Feed Modules for Input Current Path	
EP-7631	Power Module, 1 Channel 24VDC Input Flow 10A
Power Feed Modules for Output Current Path	
EP-7641	Power Module, 1 Channel 24VDC Output Flow 10A
Safe Feed-input Modules	
EP-1901	1 Safe Feed-Input, 24 VDC
EP-1902	2 Safe Feed-Inputs, 24 VDC, Programmable Delay
EP-1922	2 Safe Feed-Inputs, 24 VDC
Potential Distribution Modules	
EP-711F	Power Module, 16 Channels 24VDC Potential Distribution +24 VDC from Input Current Path
EP-751F	Power Module, 16 Channels 24VDC Potential Distribution +24 VDC from Output Current Path
EP-700F	Power Module, 16 Channels 24VDC Potential Distribution Functional Earth
EP-710F	Power Module, 16 Channels 24VDC Potential Distribution +0VDC from Input Current Path
EP-750F	Power Module, 16 Channels 24VDC Potential Distribution +0VDC from Output Current Path

GFK-2966B

Release History

Catalog Number	Firmware Version	Date	Comments
EPXMBE001-AAAB	01.00.06	Sep-2016	<ul style="list-style-type: none">- Support for three new modules, EP-1804, EP-5261, and EP-5311- Resolves a problem, see section <i>Problems Resolved by this Release</i> for more information
EPXMBE001	01.00	Dec-2015	Documentation update only, added known issues
EPXMBE001	01.00	Nov-2015	Initial Release

Important Product Information for this Release

Updates

None – Documentation update only, added known issues

Funcional Compatibility

N/A

Problems Resolved by this Release

Subject	Description
Firmware update fails when there are more than 30 I/O modules connected to the node.	When trying to update the firmware for the analog or SIL modules using Web server, either single module update or multiple modules update, both fail when the connected node has more than 30 I/O modules

New Features and Enhancements

Subject	Description
New modules supported	EP-1804 - Digital Input, 4 Points 110/230 VAC (65 – 277 VAC), 2 Wire, Isolated EP-5261 - 1 Channel Serial Communications, 232, 422, 485 EP-5311 - 1 Channel SSI Encoder, BCD or Gray-Code Format, 5/24 VDC

Known Restrictions and Open Issues

Subject	Description
Channel diagnostics faults are reported during hot-swap of the modules.	During hot-swap of an I/O module, the network adapter may report additional channel diagnostics messages in addition to the expected <i>Loss of Module</i> or <i>Addition of Module</i> fault.
Behavior during hot removal when similar modules are configured consecutively	Where similar modules are configured consecutively in the remote I/O node, a shift in input data occurs when one of the consecutive modules is pulled out from a node. For example, when there are 6 RTD modules EP-3704, configured consecutively in the node, slots 1 - 6, on hot-removal of the module from slot 4, data from modules 5 and 6 would be reflected on variables configured for slot 4 and 5, respectively, with <i>Loss of Module</i> reported for slot 6.

Operational Notes

Subject	Description
Output behavior during hotswap	During hot insertion or removal of IO modules, a transient Loss of Power up-to 500 ms may occur on the network adapter and IO modules, during which all of the outputs may drop to zero. This system behavior should be verified against the application requirements before hot insertion or removal of the IO module is done.

Product Documentation

RSTi-EP Slice I/O Module User Manual (GFK-2958)

RSTi-EP Slice I/O Functional Safety Module User Manual (GFK-2956)



<http://www.geautomation.com/>

For public disclosure